

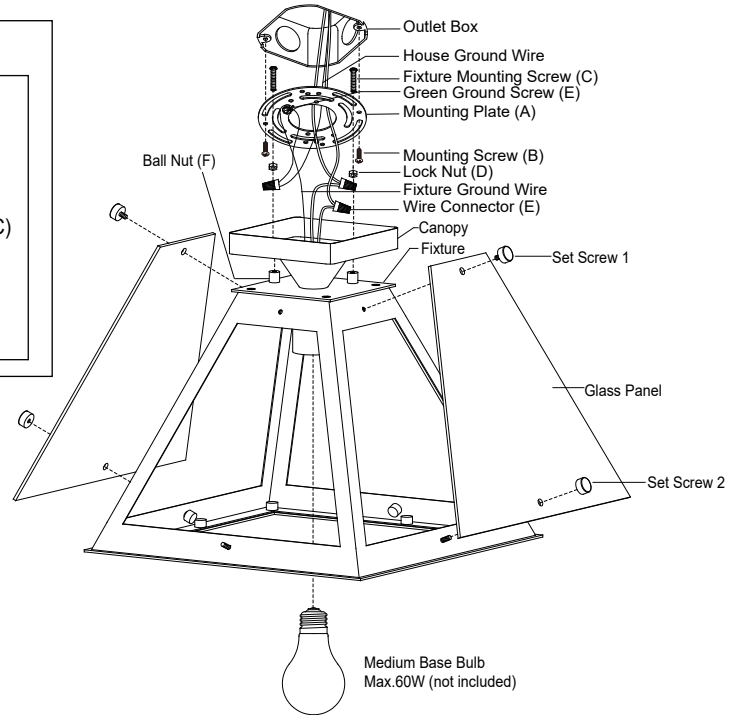
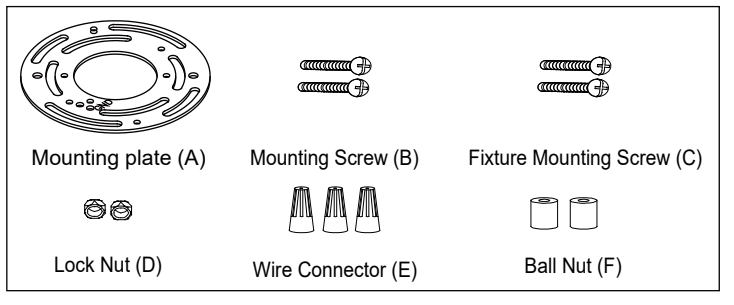
ASSEMBLY AND INSTALLATION INSTRUCTIONS

C0240

WARNING: TO AVOID RISK OF ELECTRICAL SHOCK, BE SURE TO SHUT OFF POWER WHILE INSTALLING OR SERVICING THIS FIXTURE.

NOTES: 1. Before installing, consult local electrical codes for wiring and grounding requirements.
2. READ AND SAVE THIS INSTRUCTION.

Hardware Package (included):

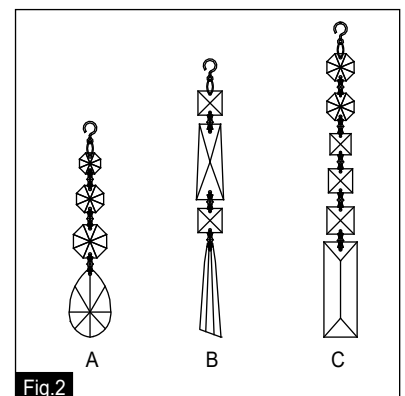
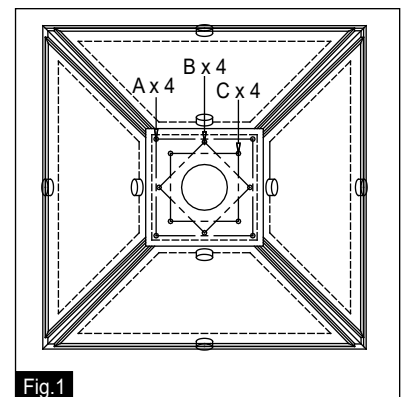


Installation Steps

Turn off the power at fuse or circuit box.

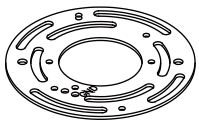
1. Attach two fixture mounting screws (C) to the mounting plate (A), then secure it with two lock nuts (D). Adjust the length of the fixture mounting screws (C) if necessary.
2. Attach the mounting plate (A) to the outlet box using two mounting screws (B).
3. Pull out the source wires from the outlet box. Make wire connections using wire connector (E) as follows:
 - Connect the black wire from the fixture to the black wire from the power source.
 - Connect the white wire from the fixture to the white wire from the power source.
 - Attach the fixture ground wire to the mounting plate (A) with the green ground screw, then connect it to the house ground wire with a wire connector (E). Carefully put the wires back into the outlet box.
4. Install the crystal drops A, crystal drops B and crystal drops C as shown in diagram. (See Fig.1 and Fig.2)
5. Attach 4pcs glass panels to fixture and lock it with set screws 1 for upper side and set screws 2 for bottom side.
6. Install the bulbs (not included). Check relamping label at socket area or packaging for maximum wattage allowed.
7. Attach the canopy onto the outlet and tighten it with two ball nuts (F).

Turn on the power at fuse or circuit box.



The following parts are available for re-order if damaged or missing.

Spare Parts List:



Mounting plate (A)



Mounting Screw (B)



Fixture Mounting Screw (C)



Lock Nut (D)

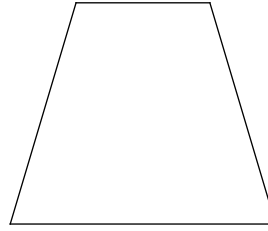


Wire Connector (E)



Ball Nut (F)

↑ Assembly Kit
6182MM (1 SET)



Glass Panel
X1
10127CS



A x 4

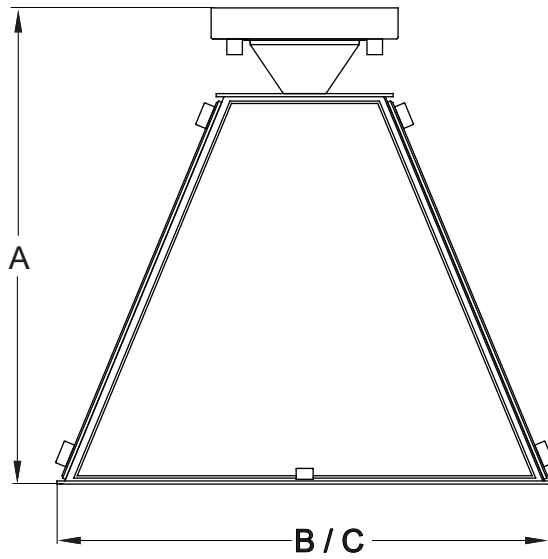


B x 4



C x 4

5129CD



A: 12"

B: 12-1/2"

C: 12-1/2"